

## RTI POGO PIN CONNECTOR SAVERS

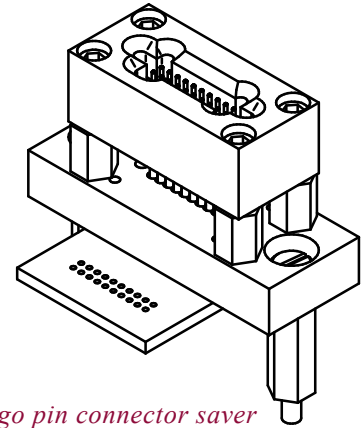


### Pogo Pin to Standard Connector for Board-Under-Test Fixtures

#### PRODUCT OVERVIEW:

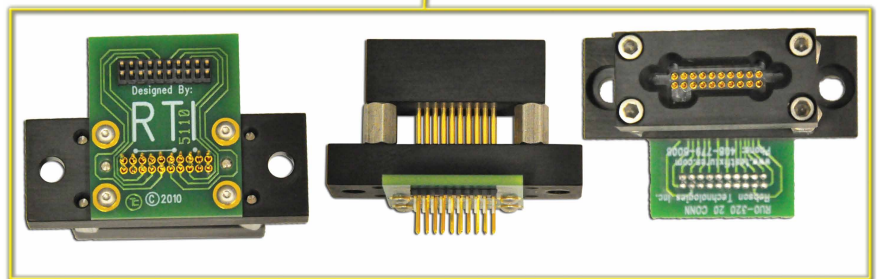
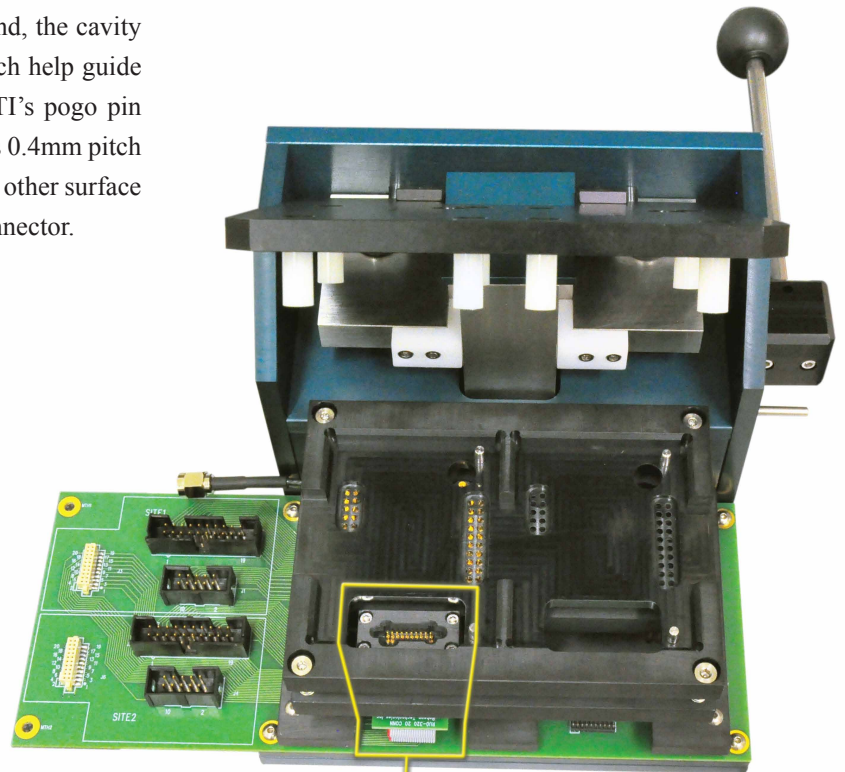
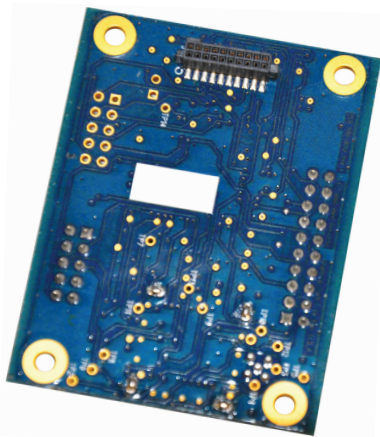
RTI's pogo pin blocks can be designed to interface with many industry standard board to board connectors contributing to the robustness and lifespan of the test fixture. Pogo pins are housed in a custom designed block milled from high performance plastic to guide and hold the connector as the board is inserted into the fixture.

The connector on the board under test makes accurate and consistent alignment to the pogo pins in two ways. First, the entire pogo pin block "floats" independent of the test fixture. This allows for the pogo block to meet the connector during insertion while the board maintains precise alignment to other test points. Second, the cavity of the pogo pin block has sloped walls which help guide the actual connector onto the pogo pins. RTI's pogo pin blocks can accept connectors with as small as 0.4mm pitch and include milled out areas to accommodate other surface mounted components directly around the connector.



*Custom pogo pin connector saver designed to accept FCI, Samtec and similar 1.27mm pitch female connectors*

*Example of a board under test with a 20 pin female board to board connector*



*Custom pogo pin block incorporated into an RTI 750 Manual Test Fixture*